

# EFC Engineering Solutions Cable Clamps

**INTERNATIONAL**  
ISO 9001:2008 CERTIFIED

*Perfect for heavy-duty cable management applications*

- **Features and Benefits**

- Available in 26 sizes for bundle diameters from 3/16" - 1 3/4"
- Aluminum eyelet in mounting hole is used to spread the load of screwed fastening device provides a higher tensile strength
- Designed to provide stability where vibration is an issue
- Qualified to SAE AS25281, MS25281, QPL23190
- Cage Code: 6B3V9
- Light green color
- Flat or Ribbed inner diameter available



Material: UL94 V2 Heat Stabilized Nylon, RMS-164, Conforms to MIL-M-20693/ASTM D-4066  
Eyelet: Aluminum, RMS-31, Anodized in accordance with MIL-A-8625



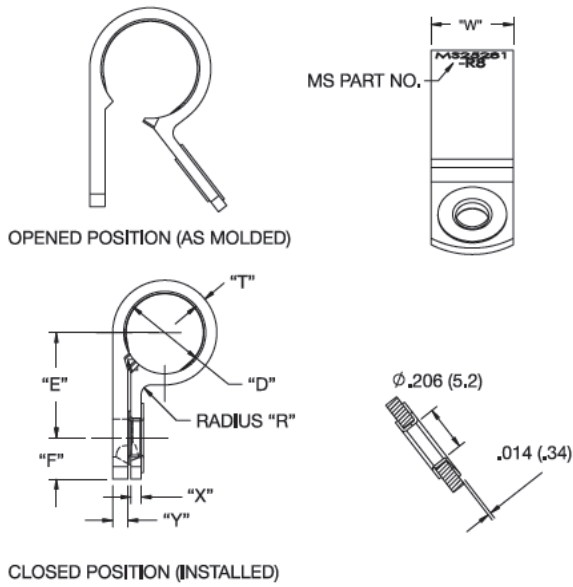
Click [here](#) to see Round Cable Clamps

**Mil-Spec Approved!**

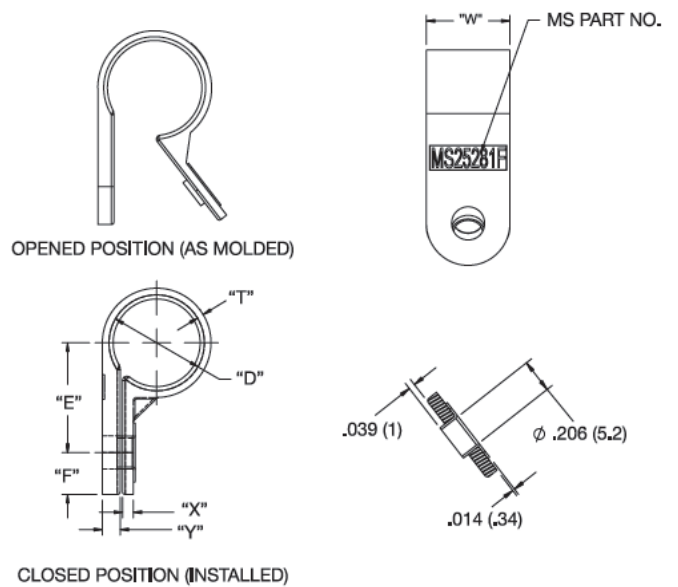
Click [here](#) to see Flat Cable Clamps

**Atlanta | St. Louis | Chicago | Toronto**  
**800.888.3326**  
**www.efc-intl.com**

**Fig. 1: Style R, Ribbed**



**Fig. 2: Style F, Flat**



EFC #	Cable Bundle Dia "D"		"E"		"F"	"P"	"R"	"T"	"W"	"X"	"Y"	Std Pack	Fig
34300489-TP10	3/16	4.8	0.485	12.3	0.250	0.250	0.062	0.057	0.503	0.065	0.08	500	1
34300490-TP10	1/4	6.4	0.510	13.0									
34300491-TP10	5/16	7.9	0.546	13.9									
34300492-TP10	3/8	9.5	0.578	14.7									
34300493-TP10	7/16	11.1	0.608	15.4									
34300494-TP10	1/2	12.7	0.639	16.2									
34300495-TP10	5/8	15.9	0.706	17.9	0.285	0.300	0.109	0.068	0.553	0.090	0.108	100	2
34300496-TP10	11/16	17.5	0.785	19.9									
34300497-TP10	3/4	19.1	0.816	20.7									
34300503-TP10	13/16	20.6	0.827	21.0									
34300498-TP10	7/8	22.2	0.878	22.3									
34300499-TP10	1	25.4	0.941	23.9									
34300500-TP10	1-1/8	28.6	0.983	25.0	0.250	0.250	N/A	0.040	0.500	0.065	0.065	500	2
34300512-TP10	1-1/4	31.75	1.066	27.1									
34300513-TP10	1-3/8	34.9	1.110	28.2									
34300514-TP10	1-1/2	38.1	1.170	29.7									
34300515-TP10	1-5/8	41.3	1.250	31.8									
34300516-TP10	1-3/4	44.5	1.300	33.0									
34300504-TP10	3/16	4.8	0.498	12.6	0.300	0.300	0.073	0.600	0.075	0.125	500	2	
34300505-TP10	1/4	6.4	0.529	13.4									
34300506-TP10	5/16	7.9	0.560	14.2									
34300507-TP10	3/8	9.5	0.592	15.0									
34300508-TP10	7/16	11.1	0.623	15.8									
34300509-TP10	1/2	12.7	0.654	16.6									
34300510-TP10	5/8	15.9	0.783	19.9	0.300	0.300	0.073	0.600	0.075	0.125	500	2	
34300511-TP10	13/16	20.6	0.877	22.3									

Recommended Mounting Screw: #10 or M5