

# Engineering Solutions

## Cable Harness

*Perfect for preassembly!*

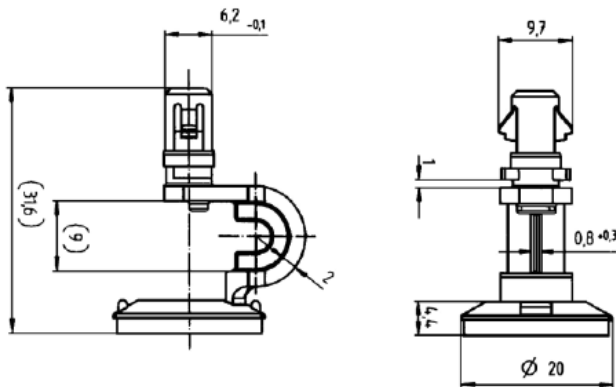


EFC offers an innovative way to fasten harnesses. The cable harness can be used instead of a cable strap. The use of materials and production technology has resulted in a component which totally eliminates the waste associated with conventional cable straps. It can be used as the end item on the OEM production line or preassembled at the wire and harness manufacturer as well. It can also reduce the variety of required parts.

### Benefits

The innovative solution has several advantages compared to conventional cable straps

- No waste
- No tool is necessary for cut-off
- No cable strap overlapping
- Low profile (no lock of cable strap)
- Reduces assembly costs and enables automatic assembly
- Use of resilient material reduces transmission of noise and vibration.



### Key Features

- Hole size:  $\text{Ø } 6,5 \text{ mm}$
- Panel Thickness: 0,5 mm to 1,8 mm
- Cable diameter: 5 – 15 mm
- Material: PP / TPE
- Soft material around the cable
- TPE Seal – water proof

Atlanta | St. Louis | Chicago | Toronto

800.888.3326

[www.efc-intl.com](http://www.efc-intl.com)