



INTERNATIONAL
ISO 9001:2008 CERTIFIED

Engineering Solutions

Plastic/Metal Trim Clips

Quick Assembly and Cost Savings!

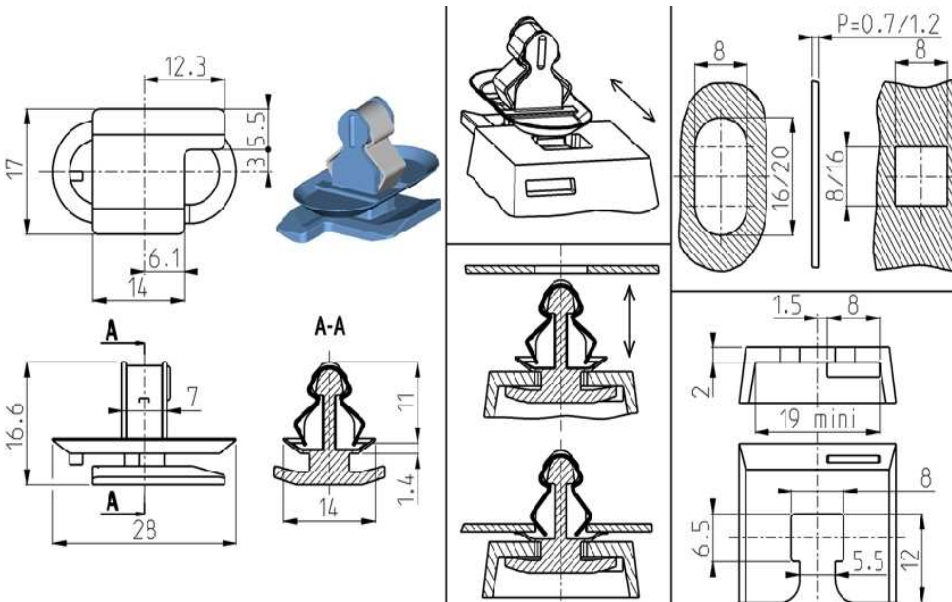


EFC International is a master provider for industry leaders in the development and manufacturing of “snap-fit” fastener solutions. EFC is pleased to offer these innovative plastic and metal trim clips.

Features and Benefits:

- Accommodate multiple hole sizes and panel ranges!
- Completely serviceable, trim clips enable panels to be assembled and disassembled without degradation to the performance of the parts.

These parts are clipped on one panel and snapped onto the other. Parts can be hidden once assembled with blind assembly/disassembly.



Technical Criteria

EFC # 30LP600751-C11

GM 24 405 740 Color: Blue

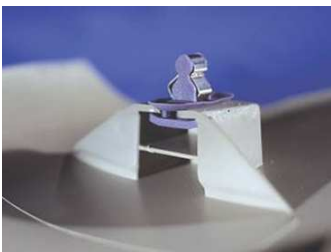
	Type	To Clip
P	Panel 1 min. thickness	2.00
P	Panel 1 max. thickness	2.00
P1	Panel 2 min. thickness	0.70
P1	Panel 2 max. thickness	1.20
N	Hole width	8.00
A	Part length	28.00
B	Part width	17.00
H	Part height	16.60
e	Metal thickness	0.40

EFC # 30LP600752-C03

GM 24 405 739 Color: Black

Dimensions same as above except:

P1	Panel 2 min. thickness	1.20
P1	Panel 2 max. thickness	2.00
N	Hole width	8.00
H	Part height	18.10



For a reliable snap fit design for your application, contact EFC!

Atlanta | St. Louis | Chicago | Toronto

800.888.3326

www.efc-intl.com