



Engineering Solutions

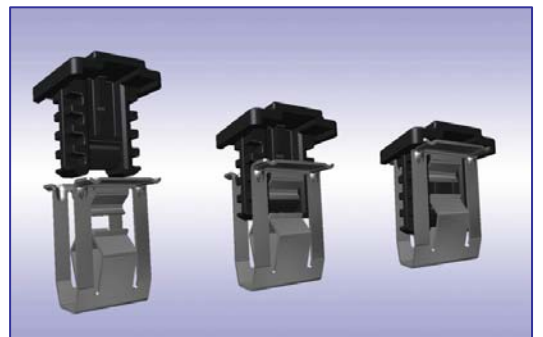
Power Lock Fastener

Perfect as an alternative to a screwed connection!

A two-piece fastening solution now available from EFC! This metal-plastic combination can be used as an alternative to a screwed connection. This component can be delivered to the customer as single component or pre-assembled on the module. The pin is safely pre-positioned and is put into its final application position by pushing its head. A secure hold is guaranteed.

Disassembly round hole – by a 120° turn of the pin head it is unlocked. The pin resets automatically into its pre position and is ready for re-use.

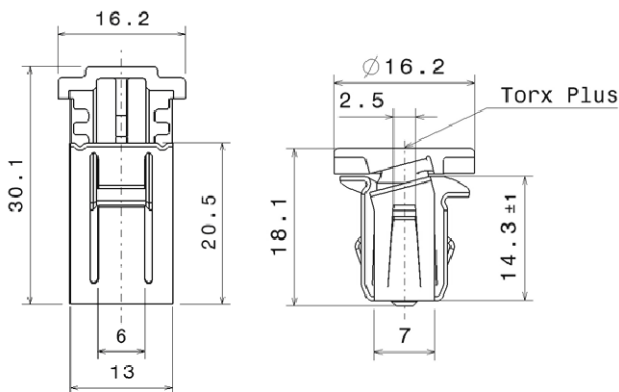
Disassembly rectangle hole – for the unlocking, an auxiliary tool is used by lifting out of its position.



Value

This fastening system features very high retention forces and therefore can be used to fasten highly utilized plastic components. It is reversible without loss of any function. The design and the functionality are protected by a patent.

Rivets for other hole sizes can be realized.



Key Features

- Metal- plastic combination
- Preassembled, possible to dismount
- Material Pin: PA/ GF
- Material Clamp: Cr Ni
- Installation hole: dia 10mm / 8x14mm
- Insertion force: < 80 N
- Retention force: > 1000N
- Temperature: -40°C to 120°C

Atlanta | St. Louis | Chicago | Toronto

800.888.3326

www.efc-intl.com