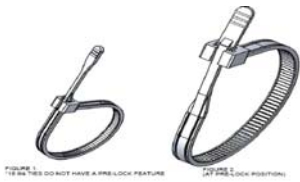




# Engineering Solutions

## Q-tie®

*Perfect for easy, fast installation!*



The patented Q-tie® features an open lock head along with an advanced interlocking rail/track system that provides the same strength and security of conventional cable ties, but with dramatically enhanced benefit to the user.

### Features and Benefits:

**Easy/Fast Installation** – The combination of the unique open lock head and tail design allows for streamlined installation in a single movement. This translates into lower in place costs compared to conventional cable ties.

**Ergonomics** – With its large open lock head and ribbed easy to grip tail, Q-tie alleviates the mounting challenges inherent with conventional closed head cable ties. These ergonomic benefits help ease the strain on users, especially in mass production and with small sizes when users are at risk.

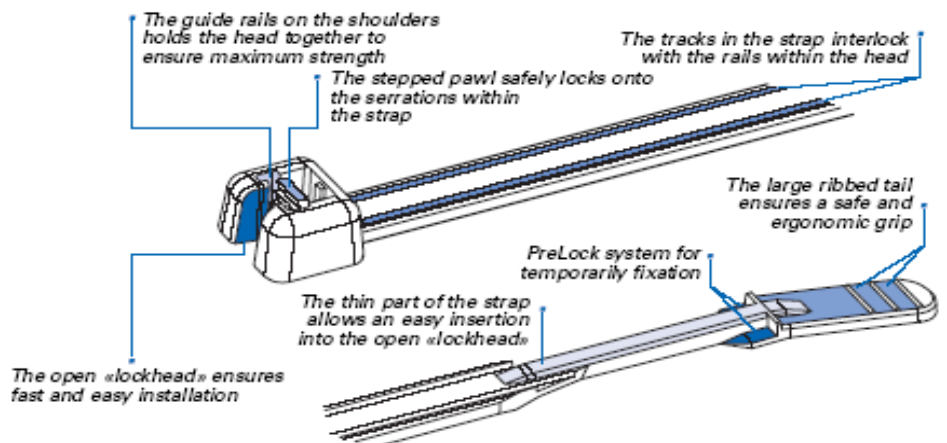
**“Pre-Lock” Temporary Mounting** – The Q-tie Pre-Lock system design allows the tie to be temporarily mounted. This functionality is extremely helpful at installations where cables are added over time prior to being permanently bundled.

**Blind Mounting** – Q-tie can be easily mounted in situations where the mounting spot is out of view. This is a significant benefit when dealing with narrow or difficult to access mounting spots.

**Variety of widths and lengths**  
**Indoor and outdoor use**

### Markets/Applications

- Automotive
- Electrical/Electronic
- Machinery/Industry
- Aviation
- Construction
- Maritime
- Do-It-Yourself



Atlanta | St. Louis | Chicago | Toronto

800.888.3326

[www.efc-intl.com](http://www.efc-intl.com)