



Engineering Solutions

Solar Masthead™ Cordgrips

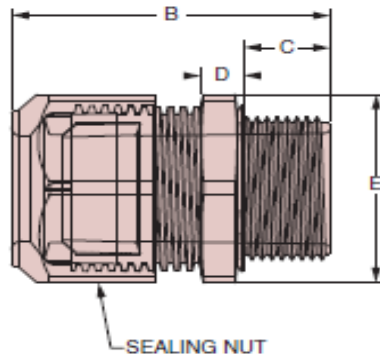
Perfect for solar rooftop installations!

Solar Masthead™ Cordgrips can be used for solar rooftop installations in place of rooftop combiner boxes. They are less expensive, easier to install and more aesthetically pleasing than combiner boxes. The cordgrips are threaded into an adapter allowing them to be attached directly to rigid (PVC) or EMT type conduit.



Features and Benefits:

- Provide a watertight seal for PV module output leads to inverters
- Secures input PV leads from solar panel array strings to fuse holder hook up within solar combiner boxes.
- Eliminates the needs for combiner box in rooftop solar applications when appropriate threaded adaptor is used.
- NPT threads easily assemble into schedule 40 fittings
- Generous wrenching flats allow for ease of assembly
- No disassembly required for installation
- Resists salt water, weak acids, gasoline, alcohol, oil, grease and common solvents



SUGGESTED CLEARANCE HOLE FOR NONTHREADED MOUNTING

EFC Part #	Gland Configuration	A		B		C		D		E	
		Clearance Hole		Max O.A. Length		Thread Length		Wrenching Nut Thk.		Wrenching Flats	
		in	mm	in	mm	in	mm	in	mm	in	mm
201301409	9-4.5mm hole	1.33	33.8	2.41	61.2	0.76	19.3	0.3	7.6	1.73	43.9
201301410	13-4.5mm hole	1.68	42.7	2.69	68.3	0.78	19.8	0.3	7.6	2.05	52.1

Material: 6/6 Nylon with TPE or Buna N Sealing Glands **Flammability Rating:** 94V-2
Temperature Rating: -22°F (-30°C) to 212°F (100°C) **IP Rating:** IP68

Atlanta | St. Louis | Chicago | Toronto

800.888.3326

www.efc-intl.com