



## CHALLENGE

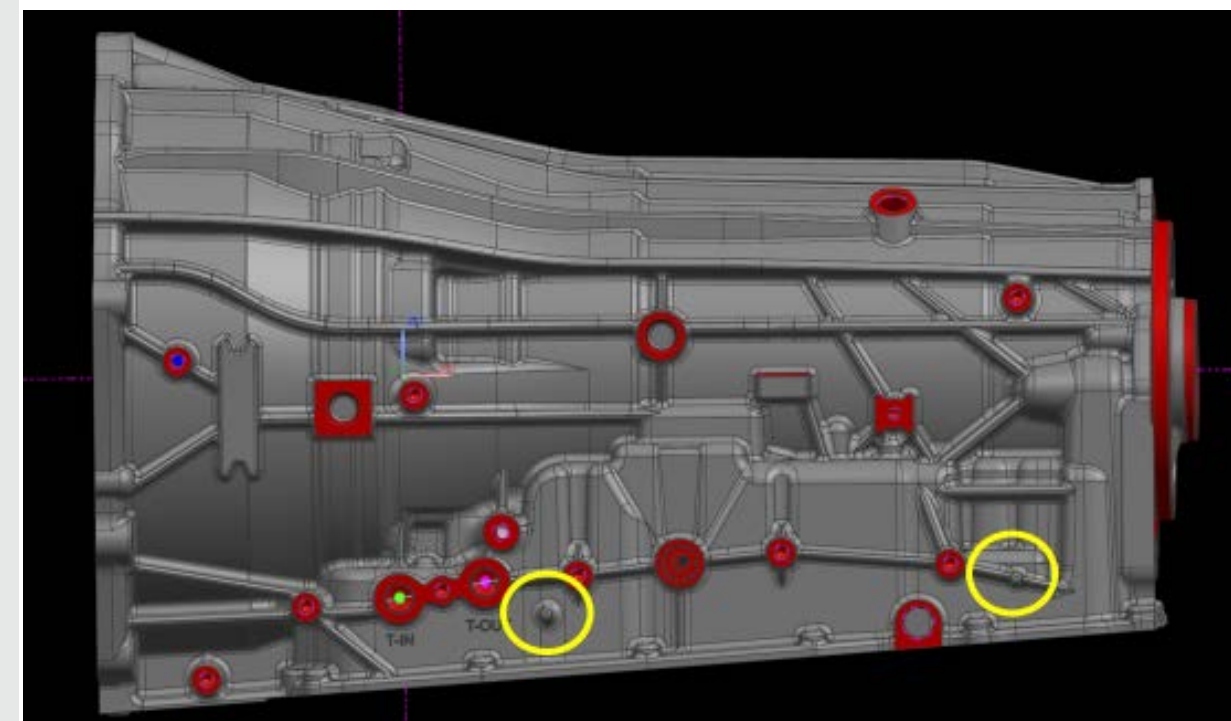
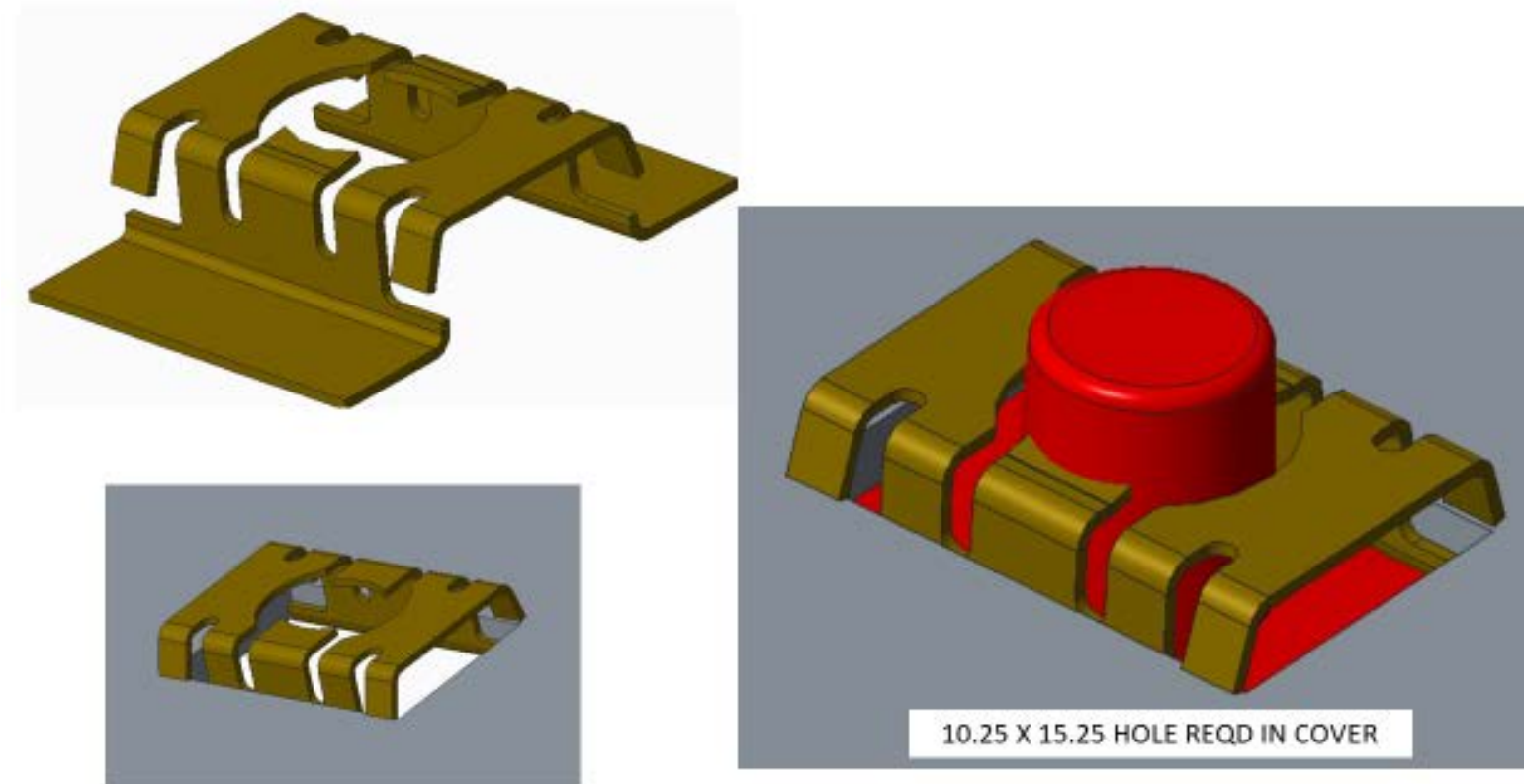
Tier 1 needed a solution for attaching an acoustical cover to a transmission case. This cover is a blanket and is pliable. The request was to encapsulate a fastener on the blanket so that a kit of fasteners didn't ship with each blanket.

## SOLUTION

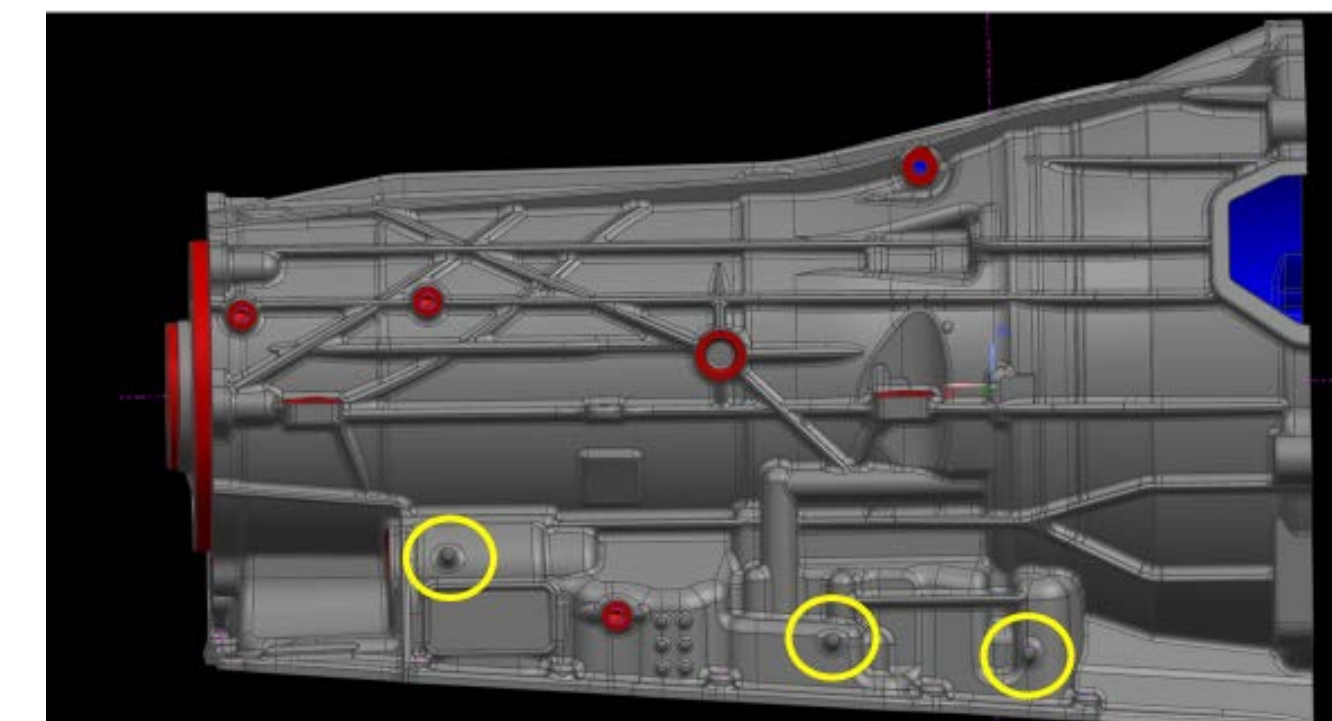
Utilizing our expert people, engineering and connections, we were able to identify a solution, present a snap shot, print and quote in less than one week.

## RESULT

Tier 1 was impressed with our proposal and has used it in their bid presentation to GM. This resulted in a cost savings of approximately \$50,000 and improved quality.



**TIER 1**



Acoustical Cover  
Captured Retainer